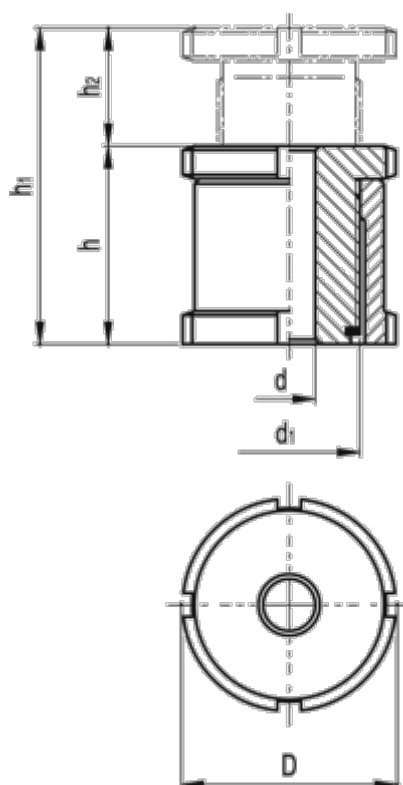


Data Sheet



Article number: 20662213A
Description: E+G Levelling set
GN 350-45-13.5-A-NI

Measures



C-spanner DIN 1810	= A45-50
d	= 13.5
D	= 45
d1	= M30x1
For screw	= M12
h	= 42
h1	= 67
h2	= 25

Max static load (N)	= 84.0
Static preload (N)	= 54.8
Weight (g)	= 335